

Sprockets 3/8" x 7/32" Stainless Steel

for simplex and duplex chain to DIN 8187 - ISO/R 606 (06 B)

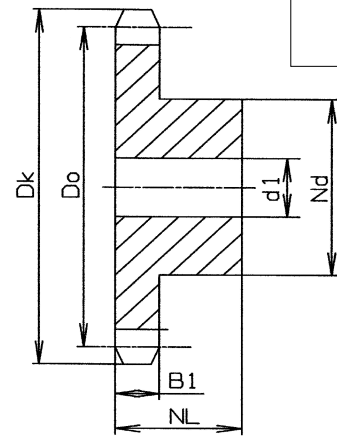
Chain dimension

pitch = 9,252 mm
inner width = 5,72 mm
Roller-Ø = 6,35 mm

Sprocket dimension

Tip circle-Ø = D_k mm
Pitch circle Ø = D_o mm
Tooth width $B_1 = 5,3$ mm
Hub length = NL mm
Hub-Ø = Nd mm
Bore-Ø = d_1 mm

Material : Stainless Steel 1.4305



Teeth-	Tip-circle-Ø	Pitch-circle-Ø	Simplex Sprocket				teeth-	Tip-circle-Ø	Pitch-circle-Ø	Simplex Sprocket			
			Nd	d1	NL	kg / pcs				Nd	d1	NL	kg / pcs
13	43,0	39,80	28	10	25	0,13	20	64,3	60,89	46	10	28	0,39
14	46,3	42,80	31	10	25	0,16	21	68,0	63,91	48	12	28	0,42
15	49,3	45,81	34	10	25	0,19	22	71,0	66,93	50	12	28	0,46
16	52,3	48,82	37	10	28	0,24	23	73,5	69,95	52	12	28	0,50
17	55,3	51,83	40	10	28	0,28	24	77,0	72,97	54	12	28	0,54
18	58,3	54,85	43	10	28	0,33	25	80,0	76,00	57	12	28	0,60
19	61,3	57,85	45	10	28	0,36	30	94,7	91,12	60	12	28	0,72

Sprockets 1/2" x 5/16" Stainless Steel

for simplex and duplex chain to DIN 8187 - ISO/R 606 (08 B)

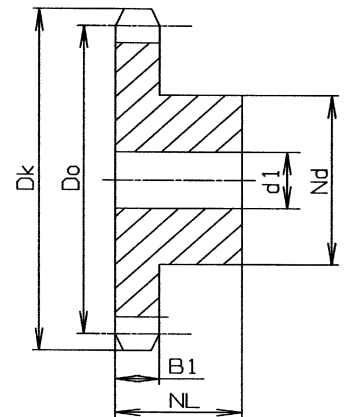
Chain dimension

pitch = 12,7 mm
inner width = 7,75 mm
Roller-Ø = 8,51 mm

Sprocket dimension

Tip circle-Ø = D_k mm
Pitch circle Ø = D_o mm
Tooth width $B_1 = 7,2$ mm
Hub length = NL mm
Hub-Ø = Nd mm
Bore-Ø = d_1 mm

Werkstoff: rostfreier Stahl 1.4305



Teeth-	Tip-circle-Ø	Pitch-circle-Ø	Simplex Sprocket				teeth-	Tip-circle-Ø	Pitch-circle-Ø	Simplex Sprocket			
			Nd	d1	NL	kg / pcs				Nd	d1	NL	kg / pcs
12	53,0	49,03	33	10	28	0,21	20	85,8	81,19	64	12	28	0,76
13	57,4	53,06	37	10	28	0,26	21	89,7	85,22	68	14	28	0,85
14	61,8	57,07	41	10	28	0,32	22	93,8	89,24	70	14	28	0,91
15	65,5	61,09	45	10	28	0,38	23	98,2	93,27	70	14	28	0,95
16	69,5	65,10	50	12	28	0,46	24	101,8	97,29	70	14	28	0,98
17	73,6	69,11	52	12	28	0,51	25	105,8	101,33	70	14	28	1,01
18	77,8	73,14	56	12	28	0,59	30	126,1	121,50	80	16	30	1,46
19	81,7	77,16	60	12	28	0,67							

Sprockets 5/8" x 3/8" Stainless Steel

for simplex and duplex chain to DIN 8187 - ISO/R 606 (10 B)

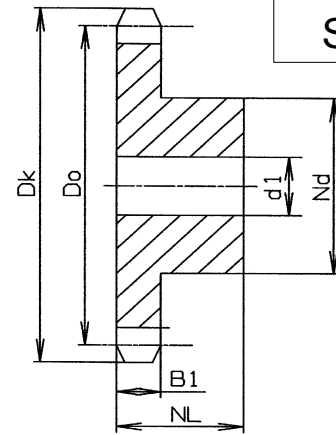
Chain dimension

pitch = 15,875 mm
inner width = 9,65 mm
Roller-Ø = 10,16mm

Sprocket dimension

Tip circle-Ø = D_k mm
Pitch circle Ø = D_o mm
Tooth width $B_1 = 9,1$ mm
Hub length = NL mm
Hub-Ø = N_d mm
Bore-Ø = d_1 mm

Material : Stainless Steel 1.4305



Teeth-	Tip-circle-Ø	Pitch-circle-Ø	Simplex Sprocket				teeth-	Tip-circle-Ø	Pitch-circle-Ø	Simplex Sprocket			
			Nd	d1	NL	kg / pcs				Nd	d1	NL	kg / pcs
12	68,0	61,34	42	12	30	0,37	20	108,4	101,49	75	14	30	1,21
13	73,0	66,32	47	12	30	0,46	21	113,4	106,52	75	16	30	1,37
14	78,0	71,34	52	12	30	0,56	22	118,0	111,55	80	16	30	1,41
15	83,0	76,36	57	12	30	0,67	23	123,4	116,58	80	16	30	1,47
16	88,0	81,37	60	14	30	0,76	24	128,3	121,62	80	16	30	1,54
17	93,0	86,39	60	14	30	0,88	25	134,0	126,66	80	16	30	1,60
18	98,3	91,42	70	14	30	1,01	30	158,8	151,87	80	16	30	1,60
19	103,3	96,45	70	14	30	1,15				90	20	35	2,41

Kettenräder 3/4" x 7/16 rostfrei

für Einfach Rollenketten nach DIN 8187 - ISO/R 606 (12 B)

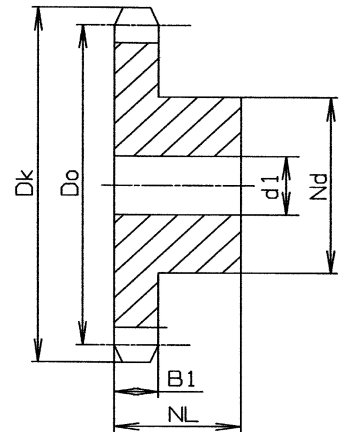
Kettenabmessungen

Teilung = 19,05 mm
innere Breite = 11,68 mm
Rollen-Ø = 12,07 mm

Kettenradabmessungen

Kopfkreis-Ø = D_k mm
Teilkreis-Ø = D_o mm
Zahnbreite $B_1 = 10,8$ mm
Nabellänge = NL mm
Naben-Ø = N_d mm
Vorbohrungs-Ø = d_1 mm

Werkstoff: rostfreier Stahl 1.4305



Teeth-	Tip-circle-Ø	Pitch-circle-Ø	Simplex Sprocket				teeth-	Tip-circle-Ø	Pitch-circle-Ø	Simplex Sprocket			
			Nd	d1	NL	kg / pcs				Nd	d1	NL	kg / pcs
12	81,5	73,60	52	14	35	0,65	20	129,7	121,78	80	16	35	1,80
13	87,5	79,59	58	14	35	0,80	21	136,0	127,82	90	20	40	2,35
14	93,6	85,61	64	14	35	0,97	22	141,8	133,86	90	20	40	2,46
15	99,8	91,63	70	14	35	1,16	23	149,0	139,90	90	20	40	2,56
16	105,5	97,65	75	16	35	1,34	24	153,9	145,94	90	20	40	2,68
17	111,5	103,67	80	16	35	1,53	25	160,0	152,00	90	20	40	2,80
18	118,0	109,71	80	16	35	1,62	30	190,5	182,25	90	20	40	3,63
19	124,2	115,75	80	16	35	1,70							

Sprockets 1" x 17,02 mm Stainless Steel

for simplex and duplex chain to DIN 8187 - ISO/R 606 (16 B)

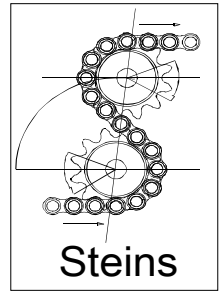
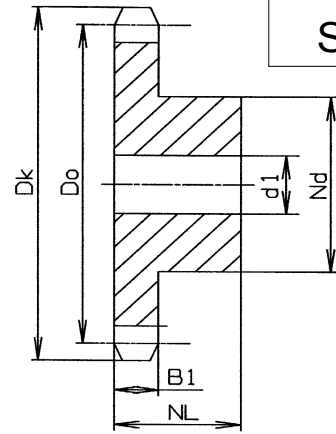
Chain dimension

pitch = 25,4 mm
 inner width = 17,02 mm
 Roller-Ø = 15,88 mm

Sprocket dimension

Tip circle-Ø = Dk mm
 Pitch circle Ø = Do mm
 Tooth width B1 = 15,8 mm
 Tooth width B2 = 47,7 mm
 Hub length = NL mm
 Hub-Ø = Nd mm
 Bore-Ø = d1 mm

Material : Stainless Steel 1.4305



Teeth-	Tip-circle-Ø	Pitch-circle-Ø	Simplex Sprocket				teeth-	Tip-circle-Ø	Pitch-circle-Ø	Simplex Sprocket			
			Nd	d1	NL	kg / pcs				Nd	d1	NL	kg / pcs
12	109,0	98,14	69	16	40	1,43	20	173,2	162,38	100	20	45	4,03
13	117,0	106,12	78	16	40	1,77	21	181,2	170,43	110	20	50	5,01
14	125,0	114,15	84	16	40	2,08	22	189,3	178,48	110	20	50	5,28
15	133,0	122,17	92	16	40	2,46	23	197,5	186,53	110	20	50	5,56
16	141,0	130,20	100	20	45	3,14	24	205,5	194,59	110	20	50	5,86
17	149,0	138,22	100	20	45	3,34	25	213,5	202,66	110	20	50	6,16
18	157,0	146,28	100	20	45	3,56	30	254,0	243,00	120	20	50	8,38
19	165,2	154,33	100	20	45	3,78							